



GLOBAL LUX

Smart Lighting Solutions



FOR YOUR NEXT MOVE OR PROJECT,
ASK US HOW GLOBAL LUX CAN HELP.

DELUXX HP



Ideal for
A
Boxes & Letters

Optimal Depth
3-12
inches

Module Consumption
0.72
Watts

High Brightness
123
Lumens

Beam Angle
160°

Number of modules
1.5
per foot

Waterproof
IP68

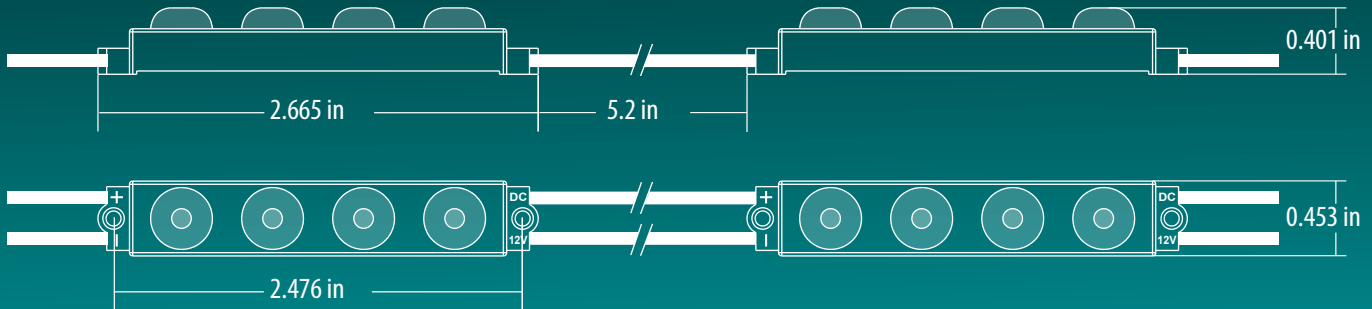
Long Life Span
80,000
Hours

Max. Load
75
Per 60W
Power Supply

Excellent module efficacy 170 lm/w

Recommended Depth (inches)	3	4	5	6	7	8	9	10+
Distance Between Rows (inches)*	4-5	6-7	8	10	10-12	10-12	8-10	8

* Measurements tested with acrylic face. May vary with thickness of material.



Product Code	Color	Lumens / Module	Watts / Module	Max. load for 60W 12V 5A, Class 2	Operating Temperature	Warranty	Waterproof Rating	Max Modules in Serie
GL-EV7-072WHP-160-65	White 6500K*	123	0,72W	75	-40°C to 60°C	5 years	IP 68	30

*White 7200K optional



2 LED MODULES

DELUXX 0.72W



Ideal for
Boxes & Letters

Optimal Depth
3-12 inches

Module Consumption
0.72 Watts

High Brightness
75 Lumens

Beam Angle
160°

Number of modules
2 per foot

Waterproof
IP68

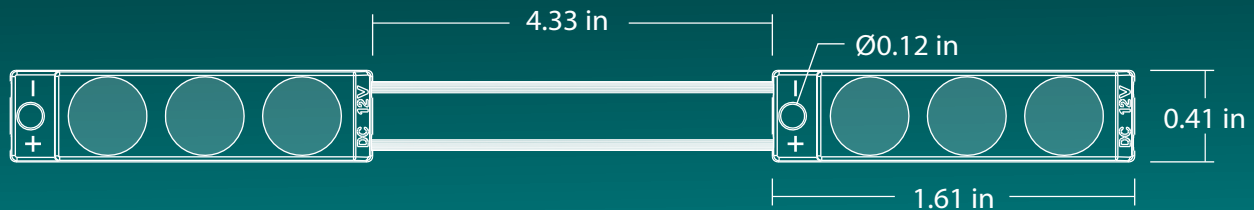
Long Life Span
50,000 Hours

Max. Load
75 Per 60W Power Supply

Great for Shallow Signs!
Dust and water resistant IP68 protection.

Recommended Depth (inches)	3	4	5	6	7	8	9	10+
Distance Between Rows (inches)*	4-5	6-7	8	10	10-12	10-12	8-10	8

* Measurements tested with acrylic face. May vary with thickness of material.



Product Code	Color	Lumens / Module	Watts / Module	Max. load for 60W 12V 5A, Class 2	Operating Temperature	Warranty	Waterproof Rating	Max Modules in Serie
GL-EV7-072W-160-74	White 7400K	75	0,72W	75	-40°C to 60°C	5 years	IP 68	50

*Other colors available upon request.



DELUXX 0.48W

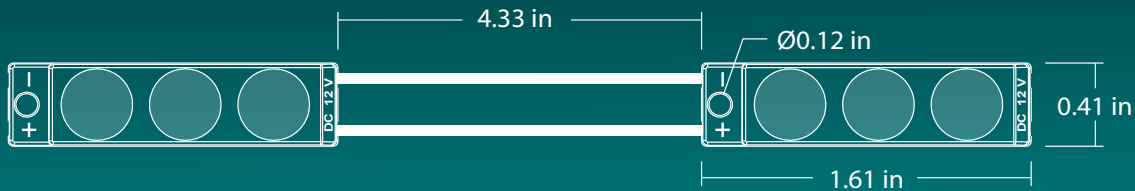


- Ideal for**
A
 Channel Letters
- Optimal Depth**
3-8
 inches
- Module Consumption**
0.48
 Watts
- High Brightness**
45
 Lumens
- Beam Angle**
160°
- Number of modules**
2
 per foot
- Waterproof**
IP68
- Long Life Span**
50,000
 Hours
- Max. Load**
112
 Per 60W
 Power Supply

Great for Shallow Signs!

Recommended Depth (inches)	3	4	5	6	7	8
Distance Between Rows (inches)*	4-5	6-7	8	10	8-10	8

* Measurements tested with acrylic face. May vary with thickness of material.



Product Code	Color	Lumens / Module	Watts / Module	Max. load for 60W 12V 5A, Class 2	Operating Temperature	Warranty	Waterproof Rating	Max Modules in Serie
GL-EV7-05W-160-74	White 7400K	45	0,48W	112	-40°C to 60°C	5 years	IP 68	50

*Other colors available upon request.

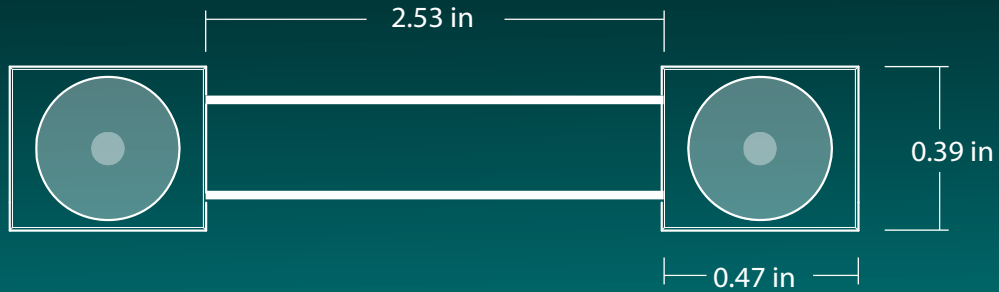


DELUXX MINI



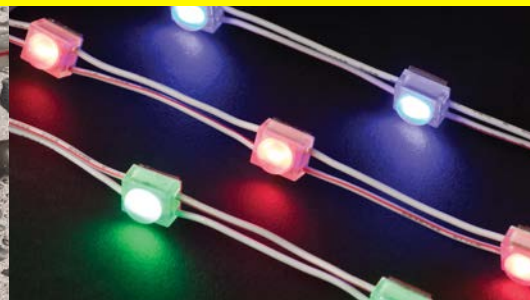
- Ideal for**
A
Small Letters
- Optimal Depth**
1-5
inches
- Module Consumption**
0.36
Watts
- High Brightness**
36
Lumens
- Beam Angle**
160°
- Number of modules**
4
per foot
- Waterproof**
IP68
- Long Life Span**
50,000
Hours
- Max. Load**
150
Per 60W Power Supply

Uniform and efficient illumination at high LED pitches thanks to optics design.



Product Code	Color	Lumens / Module	Watts / Module	Modules / Foot	Max. load for 60W 12V 5A, Class 2	Operating Temperature	Warranty	Waterproof Rating	Max Modules in Serie
GL-EV7-036W-170-72	White 7200K	36	0,36W	4	150	-40° C to 60° C	5 years	IP 68	50

*Other colors and white colors available upon request.



LUXXUS 150 2.0



- Ideal for**

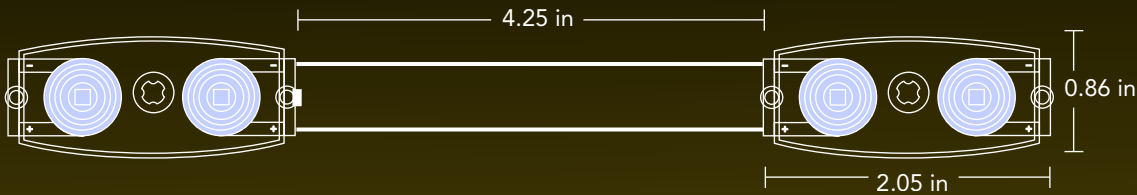
Boxes & Letters
- Optimal Depth**
4-12
 inches
- Module Consumption**
1
 Watt
- High Brightness**
110
 Lumens
- Beam Angle**
150°
- Number of modules**
2
 per foot
- Waterproof**
IP67
- Long Life Span**
80,000
 Hours
- Max. Load**
50
 Per 60W
 Power Supply

The Perfect module for large signs. Spread your rows!

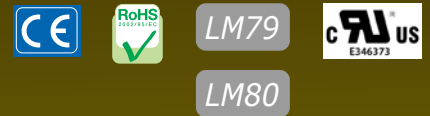
More light. More brightness. More uniformity.
 Less modules. Less power supplies. Less labor.

Recommended Depth (inches)	4	5	6	7	8	9	10+
Distance Between Rows (inches)*	5	6-8	10	10-12	10-12	8-10	8

* Measurements tested with acrylic face. May vary with thickness of material.



Product Code	Color	Lumens / Module	Watts / Module	Modules / Foot	Max. load for 60W 12V 5A, Class 2	Operating Temperature	Warranty	Waterproof Rating	Features
GL-EV2-1W150-2.0-DL	White 6500K	110	1W	2	50	-40° C to 70° C	5 years	IP 67	Constant Current
GL-EV2-1W150-2.0-CW	White 7200K	110	1W	2	50	-40° C to 70° C	5 years	IP 67	Constant Current



NOVALUXX 6W



- Ideal for**
Boxes
- Optimal Depth**
5-12 inches
- Module Consumption**
6 Watts
- High Brightness**
540 Lumens
- Beam Angle**
175°
- Number of modules**
0.5 per foot
- Waterproof**
IP67
- Long Life Span**
50,000 Hours
- Max. Load**
8 Per 60W Power Supply

Light a 2'x2' surface at 6 inches depth with only 1 module!

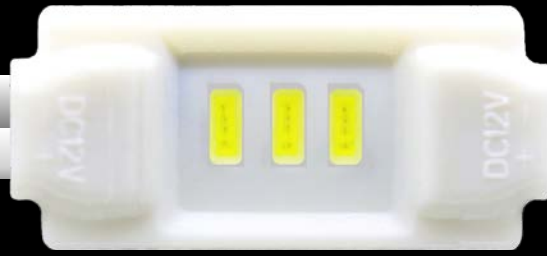


Product Code	Color	Lumens / Module	Watts / Module	Modules / Foot	Max. load for 60W 12V 5A, Class 2	Operating Temperature	Warranty	Waterproof Rating	Features
GL-6W-DL-12V	White 6500K	540	6W	0.5	8	-40°C to 70°C	5 years	IP 67	Constant Current

*Other white colors available upon request.

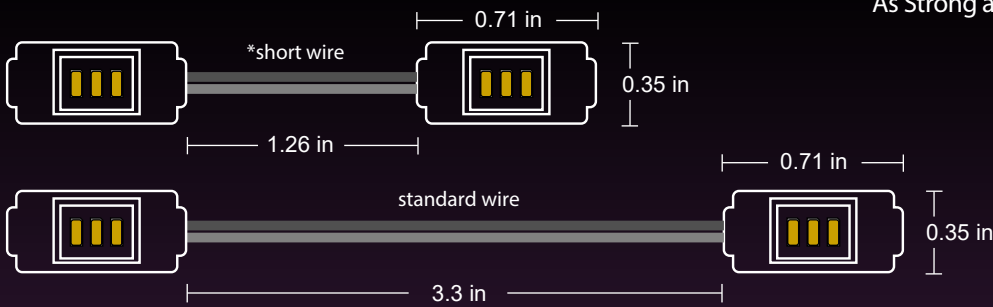


Mini



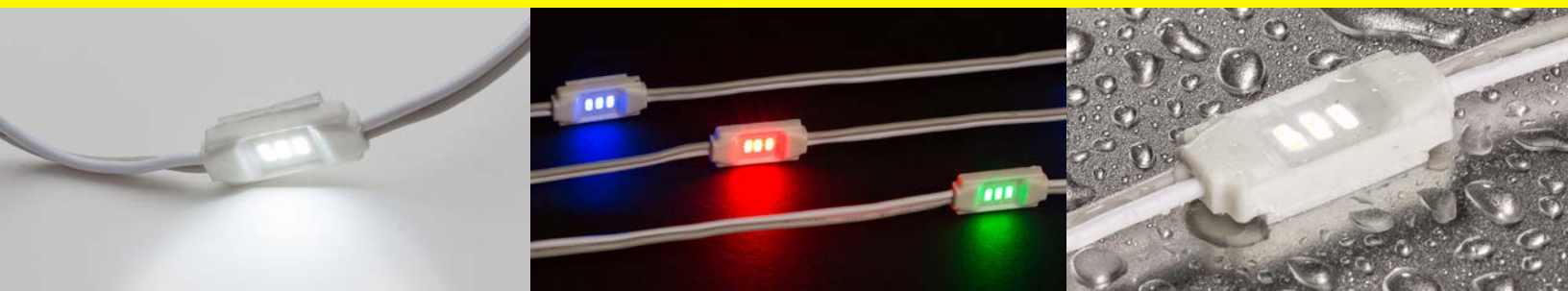
- Ideal for**
A
 Small Letters
- Optimal Depth**
2-5
 inches
- Module Consumption**
0.30
 Watts
- High Brightness**
30
 Lumens
- Beam Angle**
120°
- Number of modules**
4 or 6
 per foot
- Waterproof**
IP65
- Long Life Span**
50,000
 Hours
- Max. Load**
166
 Per 60W
 Power Supply

As Strong as it is Small ! Great for small and halo signs.



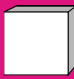
Product Code	Color	Lumens / Module	Watts / Module	Modules / Foot	Max. load for 60W 12V 5A, Class 2	Operating Temperature	Warranty	Waterproof Rating
GL-AL-3-W-CW	White 7200K	30	0,30W	4	166	-40°C to 70°C	5 years	IP 65
GL-AL-3-W-CW-SW	White 7200K - short wire*	30	0,30W	6	166	-40°C to 70°C	5 years	IP 65
GL-AL-3-W-DL	White 6500K	30	0,30W	4	166	-40°C to 70°C	5 years	IP 65
GL-AL-3-W-DL-SW	White 6500K - short wire*	30	0,30W	6	166	-40°C to 70°C	5 years	IP 65
GL-AL-3-W-WW	White 4000K	30	0,30W	4	166	-40°C to 70°C	5 years	IP 65
GL-AL-3-W-WH	White 3000K	30	0,30W	4	166	-40°C to 70°C	5 years	IP 65
GL-AL-3-W-R	Red	10	0,30W	4	166	-40°C to 70°C	5 years	IP 65
GL-AL-3-W-G	Green	20	0,30W	4	166	-40°C to 70°C	5 years	IP 65
GL-AL-3-W-B	Blue	9	0,30W	4	166	-40°C to 70°C	5 years	IP 65

* New mini short wire has a 32mm wire (1.26 in)



LITEROD



Ideal for

 Double sided box

Optimal Depth
3-18
 inches to the face

Consumption per foot
5.52
 Watts Double sided

High Brightness
575
 Lumens/ft Double sided

Beam Angle
170°
 Per side

Voltage
24V

Waterproof
IP67


LM79

LM80

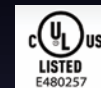
FEATURES :

- Improves your customer's corporate image
- For 6" to 24" deep double-sided boxes keeping 8" to 18" center to center
- Reduces maintenance cost and saves energy
- Different lengths available
- Indoor/Outdoor applications
- 5 year warranty
- Literod allows you to spread the distance between each row and keep the uniformity

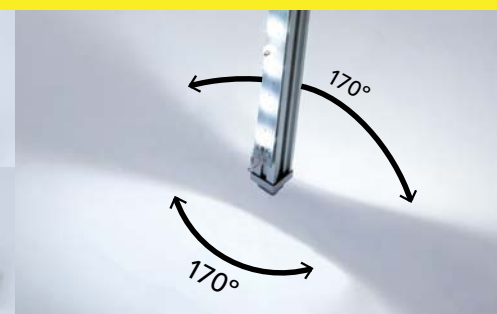
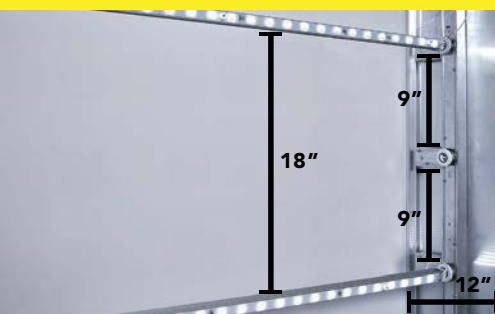


Depth	Spread
*6 in	8 in
12 in	18 in

* Double faced lightboxes



Product Code	Color	Description	Lumens / Bar	Watts / Bar	Voltage	Max Load / 96W	Max Load / 192W	Nominal Length
GL-DF-F18-5.5W-65K	Daylight White 6500K	18" Double Faced	575	5.52W	24V	15	30	15.91"
GL-DF-F24-11W-65K	Daylight White 6500K	24" Double Faced	1150	11.04W	24V	7.5	15	21.91"
GL-DF-F30-16.5W-65K	Daylight White 6500K	30" Double Faced	1725	16.56W	24V	5	10	27.91"
GL-DF-F36-16.5W-65K	Daylight White 6500K	36" Double Faced	1725	16.56W	24V	5	10	33.91"
GL-DF-F42-16.5W-65K	Daylight White 6500K	42" Double Faced	1725	16.56W	24V	5	10	39.91"
GL-DF-F48-22W-65K	Daylight White 6500K	48" Double Faced	2300	22.08W	24V	4	8	45.91"
GL-DF-F60-27.6W-65K	Daylight White 6500K	60" Double Faced	2875	27.6W	24V	3	6	57.91"
GL-DF-F64-27.6W-65K	Daylight White 6500K	64" Double Faced	2875	27.6W	24V	3	6	61.91"
GL-DF-F72-33W-65K	Daylight White 6500K	72" Double Faced	3450	33.12W	24V	2.5	5	69.91"
GL-DF-F84-38.6W-65K	Daylight White 6500K	84" Double Faced	4025	38.64W	24V	2	4	81.91"
GL-DF-F96-44W-65K	Daylight White 6500K	96" Double Faced	4600	44.16W	24V	2	4	93.91"
GL-DF-F108-49.6W-65K	Daylight White 6500K	108" Double Faced	5175	49.68W	24V	1.5	3	105.91"
GL-DF-F117-55.2W-65K	Daylight White 6500K	117" Double Faced	5750	55.2W	24V	1.5	3	114.91"
GL-DF-F120-55.2W-65K	Daylight White 6500K	120" Double Faced	5750	55.2W	24V	1.5	3	117.91"



ENVISION 2.0



Ideal for
Boxes 2 views

Optimal Depth
4-6 inches

Module Consumption
1 Watt

High Brightness
94 Lumens

Beam Angle
30°x10°

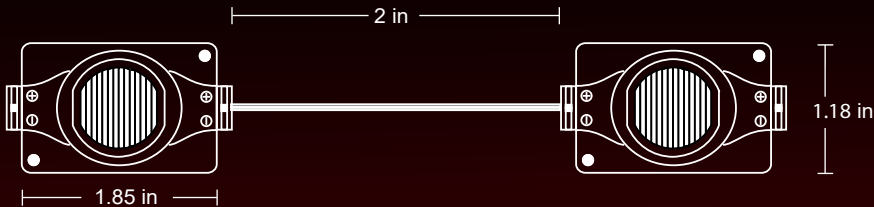
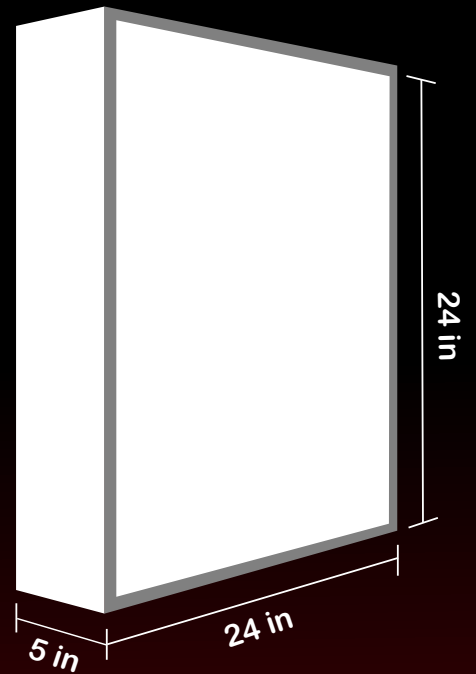
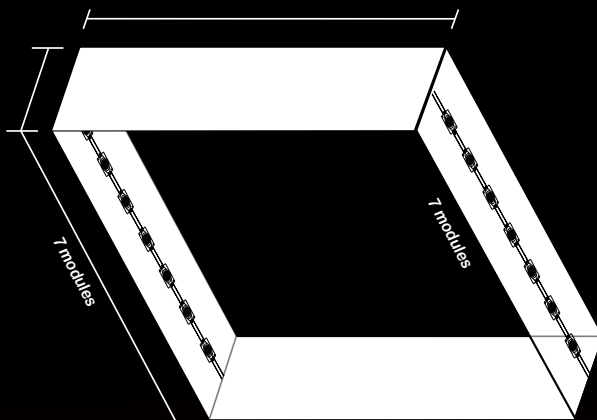
Number of modules
3 per foot

Waterproof
IP67

Long Life Span
50,000 Hours

Max. Load
50 Per 60W Power Supply

Edge lighting done Easy !



Product Code	Color	Lumens / Module	Watts / Module	Modules / Foot	Max. load for 60W 12V 5A, Class 2	Operating Temperature	Warranty	Waterproof Rating
GL-EV4-1W-ENV-WH3	White 8000K	94	1W	3	50	-40° C to 70° C	5 years	IP 67



EDGELIT 6W



Ideal for
Single & Double Sided Boxes

Optimal Depth
2-4 inches Single Sided

Optimal Depth
3-6 inches Double Sided

Module Consumption
6 Watt

High Brightness
550 Lumens

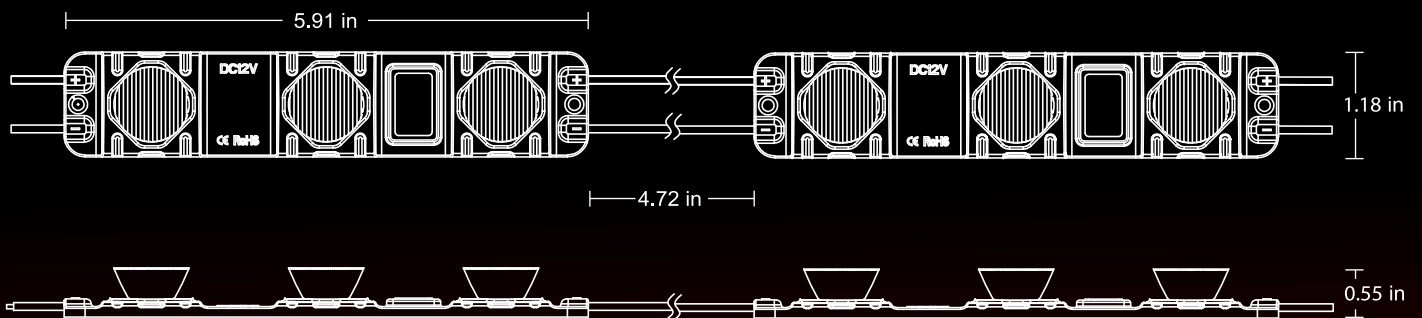
Beam Angle
10°x40°

Number of modules
0.75 per foot

Waterproof
IP67

Long Life Span
50,000 Hours

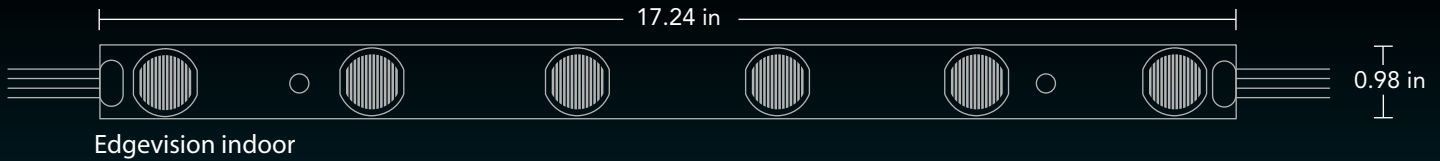
Edge lighting done Easy!



Product Code	Color	Lumens / Module	Watts / Module	Modules / Foot	Max. load for 60W 12V 5A, Class 2	Operating Temperature	Warranty	Waterproof Rating
GL-EV4-6W-EDG-DL	White 6500K	550	6W	0.75	9	-40° C to 60° C	5 years	IP 67



EDGEVISION



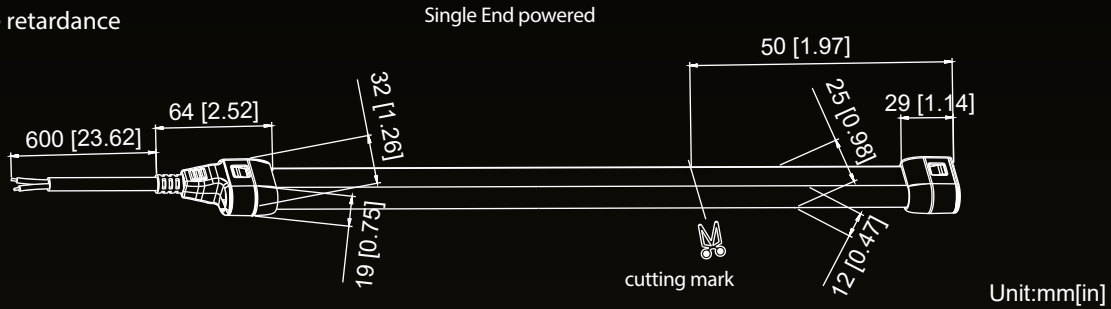
Product Code	Color	LEDs / Bar	Lumens / Bar	Watts / Bar	Length (in)	Operating Temperature	Warranty	Waterproof Rating
GL-EDG-219-3	White 6500K	3	610	8W	8.27	-40°C to 70°	5 years	IP 62
GL-EDG-365-5	White 6500K	5	1020	13,5W	14.17	-40°C to 70°	5 years	IP 62
GL-EDG-438-6	White 6500K	6	1200	15W	17.24	-40°C to 70°	5 years	IP 62
GL-EDG-W-219-3	White 6500K	3	610	8W	8.80	-40°C to 70°	5 years	IP 66 *
GL-EDG-W-365-5	White 6500K	5	1020	13,5W	14.55	-40°C to 70°	5 years	IP 66 *
GL-EDG-W-438-6	White 6500K	6	1200	15W	17.43	-40°C to 70°	5 years	IP 66 *



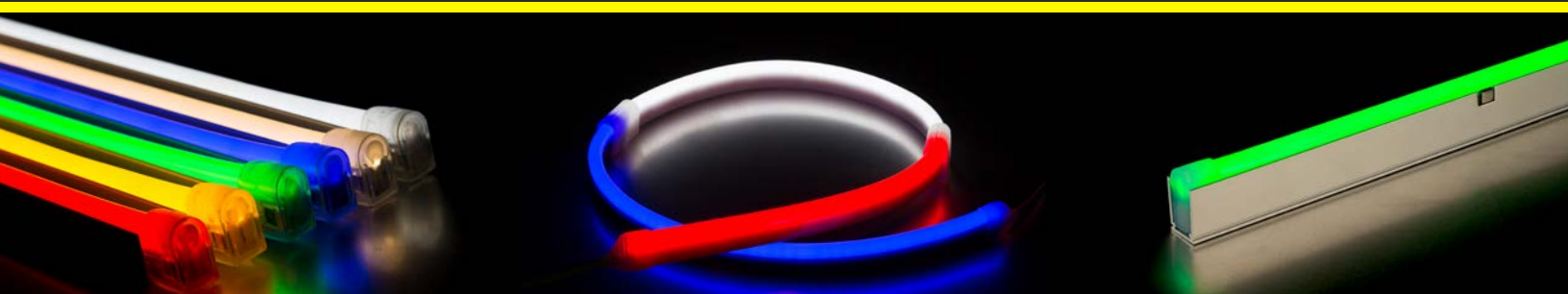
NEON FLEX

Module Consumption 2.93 Watt / ft	High Brightness 192/ft LED Lumens	Beam Angle 150°	Number of LED 36.6 per foot	Waterproof IP68	Long Life Span 50,000 Hours	Voltage 24V DC	LM80
---	---	----------------------------------	---	----------------------------------	---	------------------------------------	-------------

- Great for outdoor / indoor architectural lighting!
- UV-resistant silicone material
- V-2 flame retardance



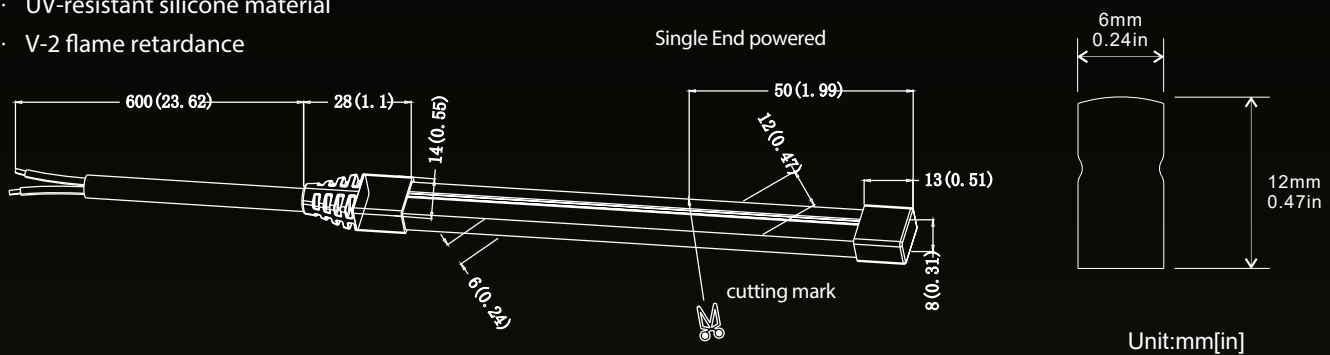
Product Code	Color	Watts / ft	LED / Foot	Max. working length Single end powered	Max. working length Double end powered	Operating Temperature	Warranty
GL-N24A-DL	White 6500K	2.93W	36.6	49.21ft	98.43ft	-40°C to 60°C	5 years
GL-N24A-WW	White 4200K	2.93W	36.6	49.21ft	98.43ft	-40°C to 60°C	5 years
GL-N24A-R	Red	2.93W	36.6	49.21ft	98.43ft	-40°C to 60°C	5 years
GL-N24A-G	Green	2.93W	36.6	49.21ft	98.43ft	-40°C to 60°C	5 years
GL-N24A-B	Blue	2.93W	36.6	49.21ft	98.43ft	-40°C to 60°C	5 years
GL-N24A-Y	Yellow	2.93W	36.6	49.21ft	98.43ft	-40°C to 60°C	5 years



NEON FLEX MINI

Module Consumption 3.66 Watt / ft	High Brightness 140/ft LED Lumens	Beam Angle 140°	Number of LED 36.6 per foot	Waterproof IP67	Long Life Span 50,000 Hours	Voltage 24V DC
---	---	----------------------------------	---	----------------------------------	---	------------------------------------

- Great for outdoor / indoor architectural lighting!
- UV-resistant silicone material
- V-2 flame retardance



Product Code	Color	Watts / ft	LED / Foot	Max. working length Single end powered	Max. working length Double end powered	Operating Temperature	Warranty
GL-NS2-6-DL	White 6500K	3.66W	36.6	16.4ft	32.8ft	-40° C to 60° C	5 years
GL-NS2-6-WW	White 4200K	3.66W	36.6	16.4ft	32.8ft	-40° C to 60° C	5 years
GL-NS2-6-R	Red	3.66W	36.6	16.4ft	32.8ft	-40° C to 60° C	5 years
GL-NS2-6-G	Green	3.66W	36.6	16.4ft	32.8ft	-40° C to 60° C	5 years
GL-NS2-6-B	Blue	3.66W	36.6	16.4ft	32.8ft	-40° C to 60° C	5 years
GL-NS2-6-Y	Yellow	3.66W	36.6	16.4ft	32.8ft	-40° C to 60° C	5 years



Power Supply



60W, 120W 2 banks, 12V IP67

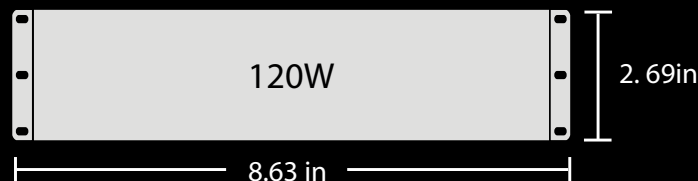
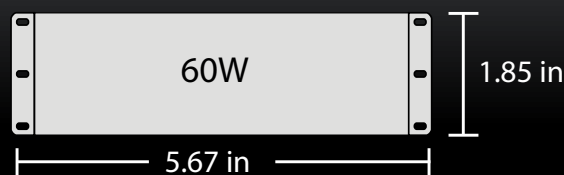
FEATURES

- Constant voltage design
- Universal AC input
- Epoxy encapsulated with IP67 level
- Cooling by free air convection
- UL1310 Class 2 power unit, pass LPS
- 100% full load burn-in test
- Suitable for LED lighting and moving sign applications
- Low cost, high reliability

Technical Specifications

Model	GLPSTR1260-100U	GLPSTR121202-100U
Power Supply	60W	120W (2x60W)
Input Voltage Range	100-277 VAC	100-277 VAC
DC output	5A	2x5A
Output	12V*	12V*
IP protection	IP67	IP67
Safety Standards	Class 2	Class 2
Working temperature	-40°C +40°C	-40°C +40°C

* 24 Volt output also available



GLOBAL LUX DISTRIBUTION NETWORK



NORTH AMERICA

Canada
Toronto
Halifax
Montreal
Vancouver
Calgary
Winnipeg
Edmonton

United States
Buffalo, NY
Champlain, NY
Bristol, VG
Miami, FL
Los Angeles, CA
Chicago, IL

LATIN AMERICA

México
México DF
Monterrey
Guadalajara
Puebla
León

Puerto Rico
San Juan

Brazil
Brasília
Curitiba
Florianópolis
Goiânia
Porto Alegre
Rio de Janeiro
São Paulo

EUROPE

France
Paris

Germany
Dusseldorf

Turkey
Istanbul

Spain
Barcelona

ASIA

Qatar
Doha

China
Shenzhen
Hong Kong

United Arab Emirates
Dubai

AFRICA

Morocco
Casablanca

Ivory Coast
Abidjan



GLOBAL LUX
Smart Lighting Solutions

1350 Volta #102, Boucherville QC J4B 6G6 Canada

Toll free USA Canada: + 1 855-814-0211 International: + 1 450-449-0944

Email: info@global-lux.com **Linked in**: GLOBAL LUX

www.global-lux.com